

# DRY PILOT ACTUATOR



## TECHNICAL DATA

MAXIMUM WORKING PRESSURE 250 PSI (17.5 Bar)

CONNECTION 1/2" BSPT

MATERIAL Stainless Steel (Standard Supply)  
Bronze (Optional)

APPROVAL Part of HD's UL Listed  
Deluge Trim

ORDERING INFORMATION Model

FINISH Red - RAL 3001



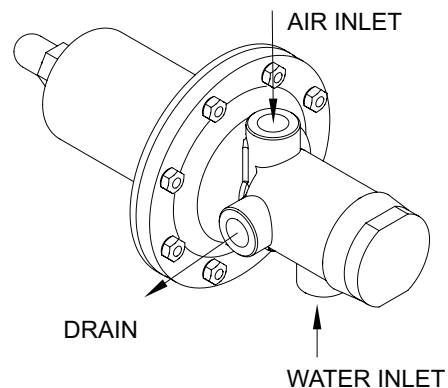
## DESCRIPTION

Dry pilot actuator (DPA) Model-H1 is a device used in dry pilot detection trim for Deluge Valve Model-H2 and H3. The compressed air connecting the detection line holds the diaphragm against the spring pressure. On release of detection line, when the air pressure drops, the plunger connected to the diaphragm assembly pushes the clapper and releases water from diaphragm chamber to the Deluge Valve, thus actuating the Deluge Valve.

The recommended air supply pressure for the dry pilot actuator is 3-4 kg./sq.cm.

Dry pilot actuator must be tested for operation quarterly. To test, release air pressure in detection line, the water flow from open drain of actuator must be noticed and Deluge Valve must trip. Reset the Deluge Valve. For resetting refer to the resetting procedure of Deluge Valve Model-H2 or H3.

Notify all authorities having jurisdiction while testing so as to avoid false alarm.



## LIMITED WARRANTY

HD FIRE PROTECT PVT. LTD. hereby referred to as HD FIRE warrants to the original purchaser of the fire protection products manufactured by HD FIRE and to any other person to whom such equipment is transferred, that such products will be free from defect in material and workmanship under normal use and care, for two (2) years from the date of shipment by HD FIRE. Products or Components supplied or used by HD FIRE, but manufactured by others, are warranted only to the extent of the manufacturer's warranty. No warranty is given for product or components which have been subject to misuse, improper installation, corrosion, unauthorized repair, alteration or un-maintained. HD FIRE shall not be responsible for system design errors or improper installation or inaccurate or incomplete information supplied by buyer or buyer's representatives. HD FIRE will repair or replace defective material free of charge, which is returned to our factory, transportation charge prepaid, provided after our inspection the material is found to have been defective at the time of initial shipment from our works. HD FIRE shall not be liable for any incidental or consequential loss, damage or expense arising directly or indirectly from the use of the product including damages for injury to person, damages to property and penalties resulting from any products and components manufactured by HD FIRE. HD FIRE shall not be liable for any damages or labour charges or expense in making repair or adjustment to the product. HD FIRE shall not be liable for any damages or charges sustained in the adaptation or use of its engineering data & services. In no event shall HD Fire's product liability exceed an amount equal to the sale price. The foregoing warranty is exclusive and in lieu of all other warranties and representation whether expressed, implied, oral or written, including but not limited to, any implied warranties or merchantability or fitness for a particular purpose. All such other warranties and representations are hereby cancelled.

## NOTICE :

The equipment presented in this bulletin is to be installed in accordance with the latest publication standards of NFPA or other similar organisations and also with the provision of government codes or ordinances wherever applicable.

The information provided by us is to the best of our knowledge and belief, and consist of general guidelines only. Site handling and installation control is not in our scope. Hence we give no guarantee for result and take no liability for damages, loss or penalties whatsoever, resulting from our suggestion, information, recommendation or damages due to our product.

Product development is a continuous programme of HD FIRE PROTECT PVT. LTD. and hence the right to modify any specification without prior notice is reserved with the company.



D-6/2, ROAD NO. 34, WAGLE INDUSTRIAL ESTATE, THANE 400 604, INDIA.  
• TEL: + (91) 22 2158 2600 • FAX: +(91) 22 2158 2602  
• EMAIL: info@hdfire.com • WEB: www.hdfire.com